


# Bento Robotics

## *Team Nachtgeeker*

---

Team Description Materials - Robocup 2024



Summary.....	2
General Information.....	3
Hardware.....	4
Chassis.....	4
Power.....	5
Drive train.....	5
Motors.....	5
Motor controllers.....	5
Cameras.....	6
Processors.....	6
Robot Arm.....	7
Modeling.....	7
Software.....	8
Human-Robot-Interface.....	8
Current Experiments and Testing.....	8
Movement Visualisation.....	9
Radio.....	9
Cable.....	11
Experiences.....	12
Plans until the Robocup.....	13
Costs.....	14
Our Team.....	15
Members.....	15

## Summary

We are Team Nachtgeeker, a subdivision of bento robotics, the winner of last year's German Open.

Our focus is creating the robot Schäufole, in a quad-flipper platform with enhanced mobility, especially on stairs, whereas our counterpart, Team Löhbotics, is working to improve Bento-Box, the German Open winning robot. This means most things are still in the R&D stage.

“Schäufole” is a traditional Bavarian-Franconian dish which consists of a pork roast that still contains the shovel-like shoulder bone. We chose the name because our robot will be designed with flippers that also resemble the shape of a shovel.



Source: [Schäufole mit Biersauce - Rezept | Kochrezepte.at](#)

Bento robotics formed in early 2021, as Prof. Dr. Stefan May of the OHM university stumbled across an extracurricular technology course offered by our school and decided to lend support and introduce the world of robotics. Consequently we learned new programming languages and tools, such as Python, C++ and ROS, and began tinkering with proper robotics hardware.

We are very grateful to all the companies and organizations, especially the OHM university, that have supported us along the way and continue to do so.

---

## General Information

Team Name: Nachtgeeker

Robot Name: Schäufele [ʃ ɔ I fələ] [*github*]

Organization: Bento robotics (Wilhelm-Löhe-Schule)

Country: Germany

Website: <https://bento-robotics.github.io/website/>

Plans: [github.com/orgs/Bento-Robotics/projects/3](https://github.com/orgs/Bento-Robotics/projects/3)

Contact: [bento.robotics@gmail.com](mailto:bento.robotics@gmail.com)

Contact Person: Dr. Markus Stammler  
([markus.stammler@loehe-schule.de](mailto:markus.stammler@loehe-schule.de))

---

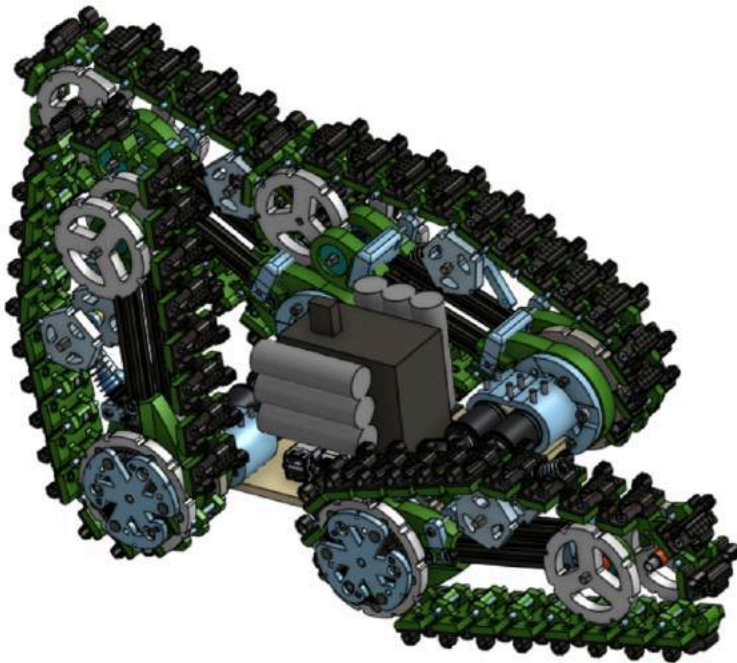
## Hardware

This is our plan for the robot “Schüufele” for the upcoming RoboCup 2024.

(you can also view our OnShape via

<https://cad.onshape.com/documents/9c18033a030c6f56d8ed1210/w/dd191a8f46515620872bb010/e/40d26ac2d4b0547b41c2f2b4>)

## Chassis



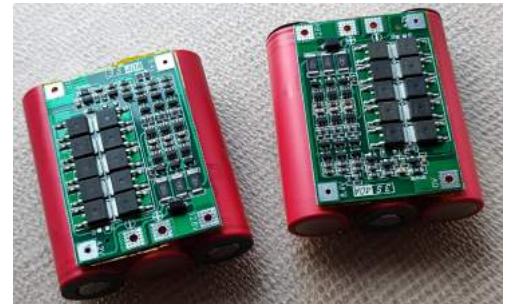
The flippers are made of machined plastic for the wheels, 3d-printed parts for the frame and connected with Maker Beam. The flippers are then screwed onto a wooden base plate.

## Power

Our plan is to supply Schüfele the same way as Bento-Box, using two Li-Ion 3S1P batteries in series, each delivering a nominal 11.1V with a 3.2Ah capacity.

Each one incorporates three 18650 cells and a BMS, taking care of battery protection and under/overcharge.

We chose the dual battery setup to center the batteries' weight along the chassis and make more room for electronics.



## Drive train

### Motors

We use eight [2224U018SR](#) motors, four for tracks and four for flipper rotation, from Faulhaber with [IEH2-512](#) encoders on their rear ends.

They are mounted to [22GPT](#) 44:1 planetary gearboxes, resulting in a continuous output torque of 0.8 Nm.



*motor (black), gearbox (silver)*

### Motor controllers

Our motors are driven by EduArt's Motorshield modules. They communicate via CAN and a 3V enable signal.

Once again we don't plan on stacking them into a central tower as they are intended to be used, and instead plan on creating breakout boards to mount them closer to the motors without modifying them directly as we did with Bento-Box. This Means they can benefit from motor cooling we plan on adding, and we won't need to extend the motor's cables.



*EduArt  
Motorshield  
module*

## Cameras

Once again, we plan on using an ultra-wide lens for driving, and a non-distorting lens for Computer Vision. These could either be connected via USB or MIPI CSI.

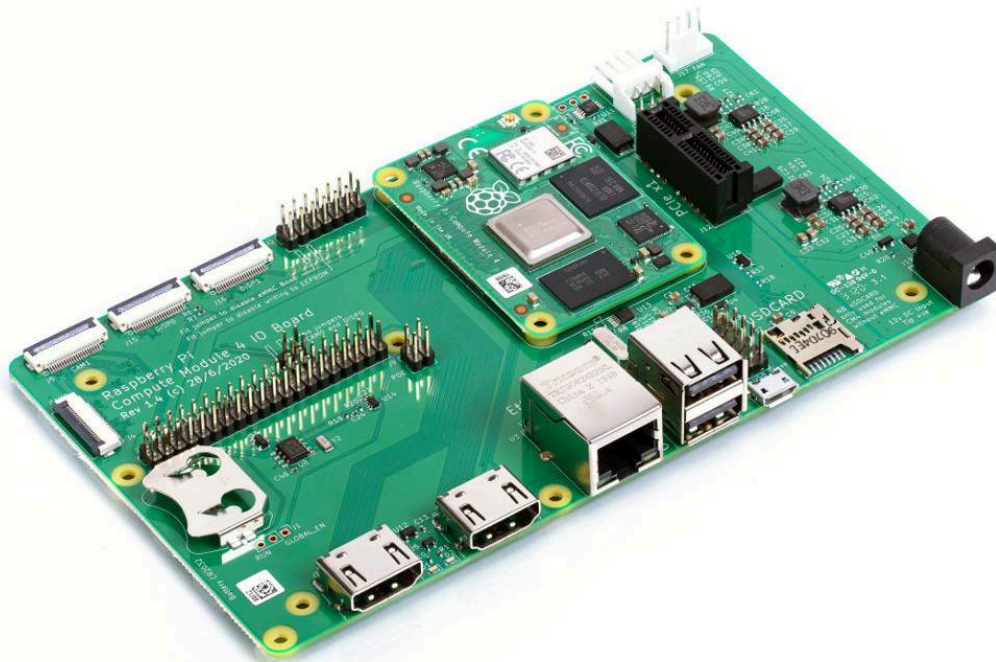
We plan on adding an MLX90640 infrared camera for low resolution but budget friendly thermal imaging, and perhaps an intel D435i depth camera to map terrain and avoid obstacles.

## Processors

Our powerhouse is a raspberry pi 4,  
But we plan to use a CM4 in our final design.

Unlike a regular pi 4, the CM4 gives us some PCIe lanes that we have already [succeeded in using for dedicated WiFi modules](#).

We are designing a CM4 carrier board to integrate everything we need in compact space.



As stock linux isn't real-time, and there are better arduino libraries than linux libraries for most chips, we added a coprocessor, a RP2040 raspberry pi pico.

This makes adding hardware far easier, and by using the  $\mu$ ROS library it is fairly easy to integrate with ROS2.

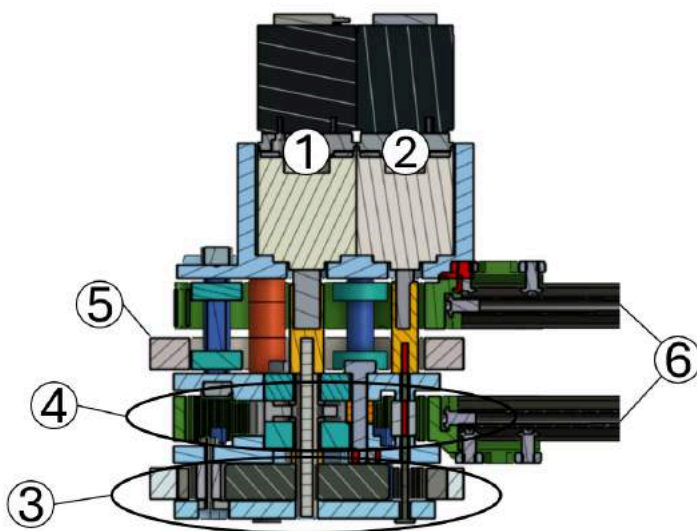
## Robot Arm

We are currently still working on a robotic arm. The Code is written in Arduino and is going to use  $\mu$ Ros on a RP 2040. For testing we currently use the MeArm V3, but plan to design our own arm in Onshape. The MeArm V3 has 4 servo motors, 1 for the end effector, 2 for the joints and 1 for Y-axis rotation. It is made of acrylic plastic.

## Modeling

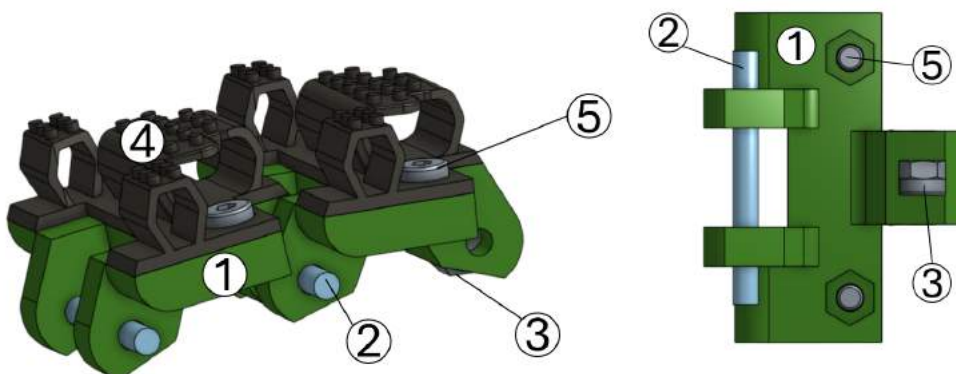
We use Onshape to create models, which we then 3D print.

Here is an overview of our robot in Onshape.



Here you can see a section of our flipper. Motor 1 is moving the planetary gearbox 3. It has a ratio of  $\sim 0.7$  in order to increase torque. The chain elements are then mounted on the wheels 3 and 5. Motor 2 is powering another planetary gearbox (4) that moves the rest of the flipper (6) with a ratio of  $\sim 0.15$  so that there is enough torque to lift

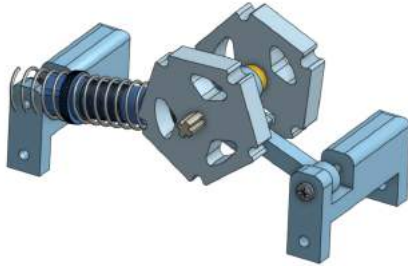
the robot using the flippers. We use standard lego axles and gears for the inner planetary gearboxes.



For the chain elements, we connect a 3D-printed base with headless screws (2) and a torque prevailing nut. The wheels



are in contact with both ends of the screws. Finally, a tread printed of flexible filament (4) is mounted on the base with two screws (5).



We also plan on using an additional, smaller pair of wheels that applies tension on the chain using a shock absorber

The 4 flippers are then screwed onto a wooden base plate, the outer shell and the mountings for the batteries and the RP4 are yet to be designed.

## Software

Our software is based on ROS2, using mostly [EduArt's nodes](#) and free software such as the `usb_cam` & `joy_linux` ROS2 Nodes and RQT, and arduino for direct hardware interfacing.

We won't write about it just yet as it is bound to change dramatically.

## Human-Robot-Interface

Our current setup uses RQT to display camera streams and status data, and a Joystick for input.

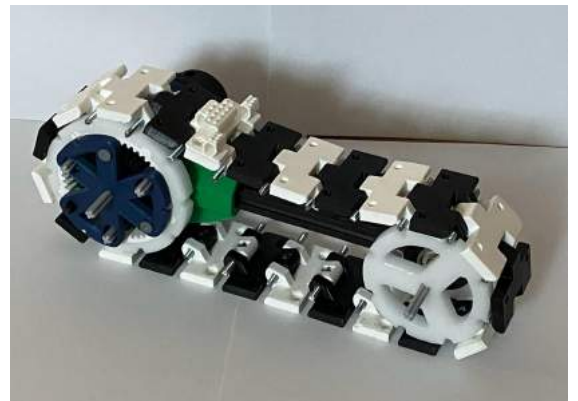
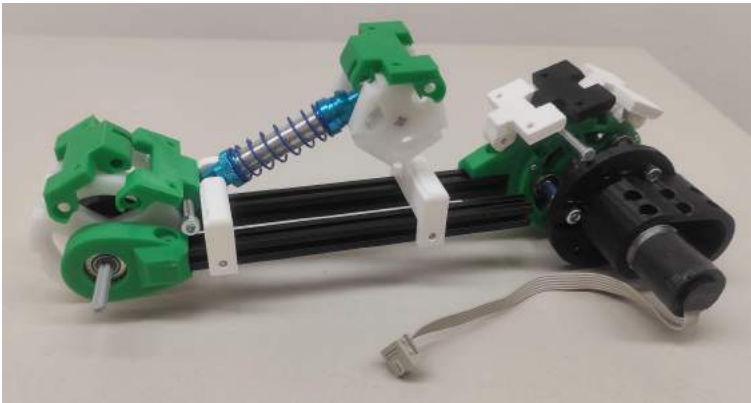
We plan on making our own UI using QT or GTK, as this allows better visualization of data and an overall cleaner look.

Concerning the control of the flippers, we either have to move them via the additional buttons on the joystick or we toggle the joystick into controlling them.

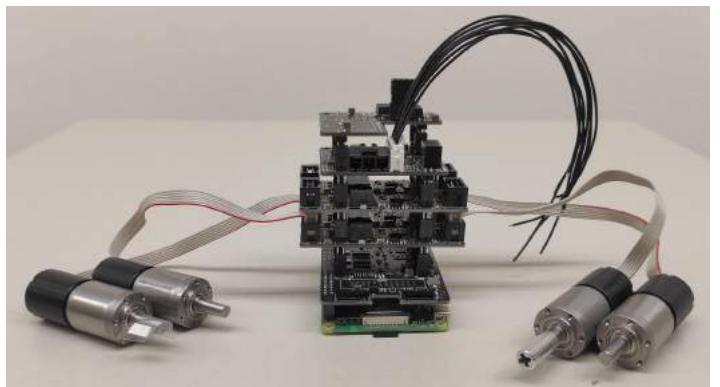


## Current Experiments and Testing

Now that the design of the robot, especially the flippers, is almost complete, we are currently in a phase of doing first test prints. We already have an entire flipper constructed and working:



Concerning hard- and software, we are currently working with a simple “hardware tower” consisting of the motor controllers and the Raspberry Pi so we can already do some testing.



## Movement Visualisation

By subtracting camera Frames with a static background from each other (and applying some filters to improve contrast) we can display movement.

This can simply be humans, or, if the background is suitable, even air movements.

Demo at [gist.github.com](https://gist.github.com)



Gas exhaust of a bunsen burner

## Radio

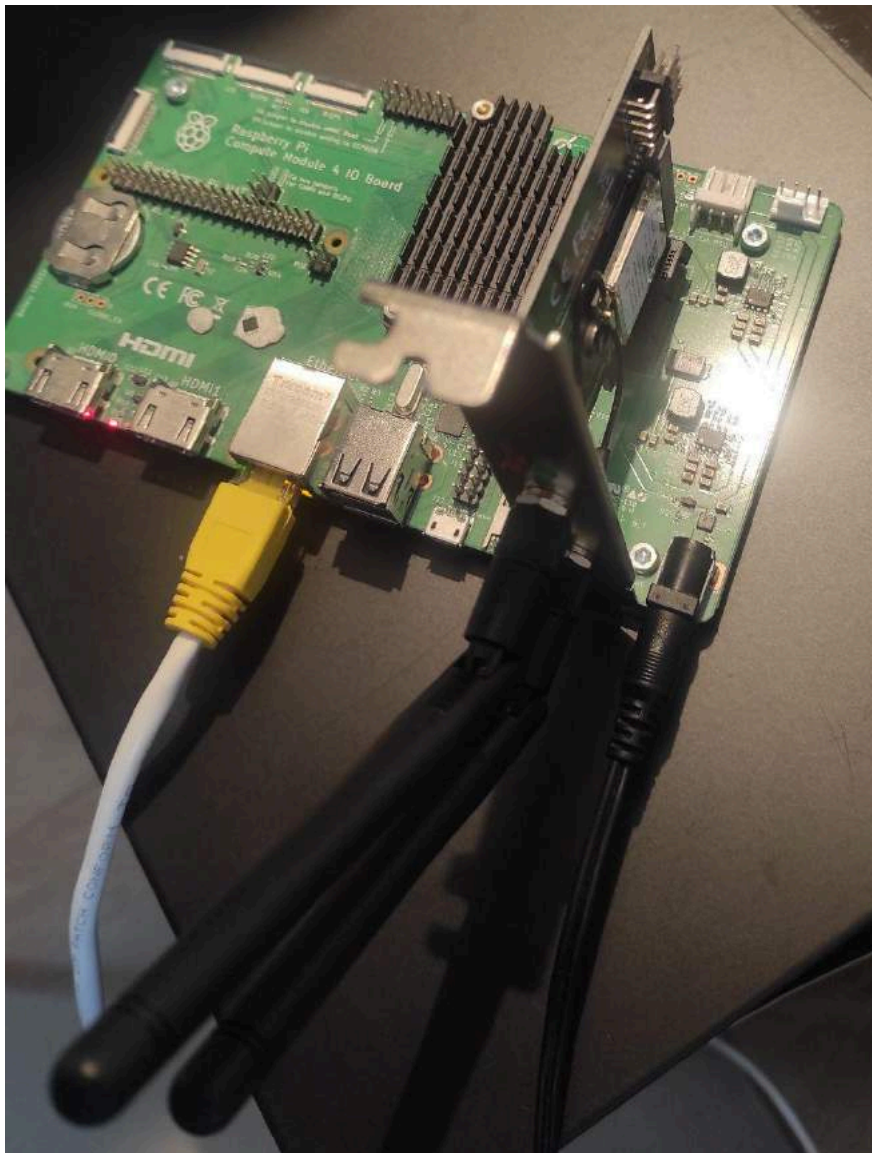
Due to previous experiences we have put more thought into the data link between Operator and Robot.

We now run a dedicated PCIe Wi-Fi module for radio contact, giving us access to technologies such as wifi 6e (6GHz).

Adding hardware like this on the Jetson never worked correctly, and the old kernel version forced us to use old modules, hence the switch to raspi 4.

To get PCIe Wi-Fi modules working, you need to recompile the Pi OS' kernel to include support for them. It's easier than it sounds :P

We've documented this process over at [github.com/Bento-Robotics/Schaeufele/wiki/Software](https://github.com/Bento-Robotics/Schaeufele/wiki/Software).



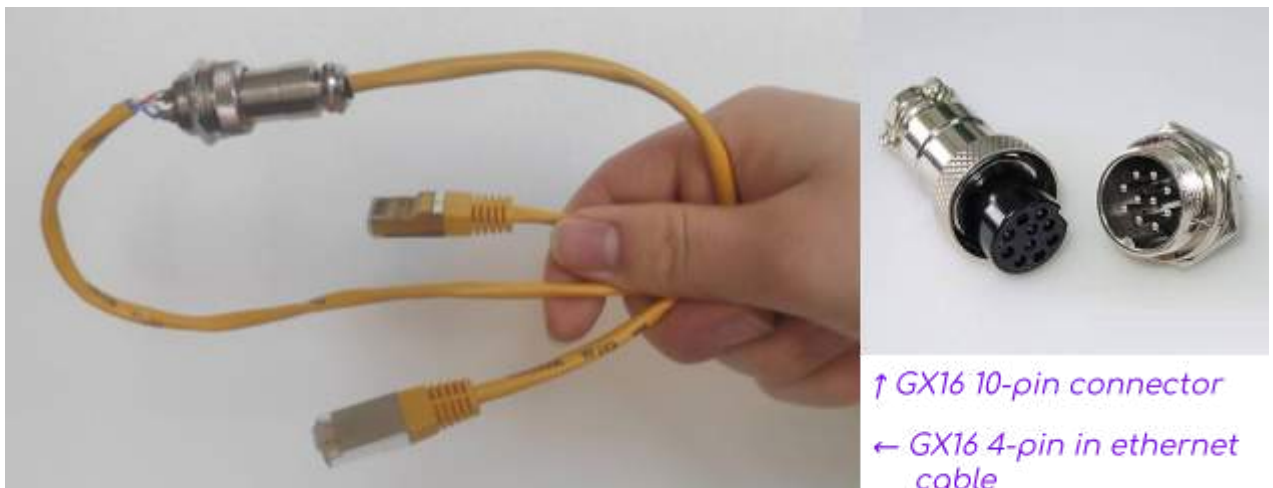
## Cable

If all goes wrong and wireless communication fails, a wired connection is a reliable fallback.

We tried many standards, but nothing beats ethernet when it comes to ease of use and cost to implement.

As an added bonus, ethernet can carry power and data simultaneously (PoE), which makes charging whilst driving and therefore extended mission durations possible.

It became apparent however, that the regular RJ45 jack isn't built with moving cables in mind - the retaining mechanism kept breaking. So we opted for a far more robust GX16 connector.



The male side will be mounted to the robot's chassis, and the female side attached to a long CAT5e ethernet cable.

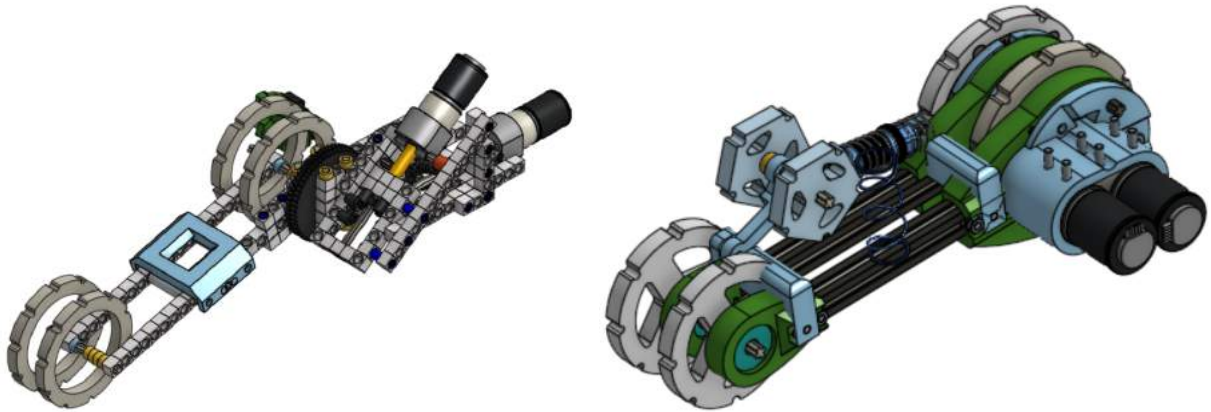
Either a 4-wire or an 8-wire cable can be used (GX16 is available in 2 through 10-pin variants), with a 4-wire cable being lighter, but only capable of 100 Mbit/s, whereas an 8-wire cable can supply more PoE power and gigabit ethernet at the cost of more weight and stiffness.

The test cable shown didn't show any signal degradation, in spite of lacking shielding - speed tests run before and after had the same result (100 Mbit/s).

---

## Experiences

- **Loose team:** Our first proper drive was on the same day as the competition, due to the team only rarely being able to meet and contribute. That is why we now meet 2-3 times a week to work on the new robot since late 2023.
- **Jetson Nano:** The Jetson Nano is fantastic on paper but terribly supported in practice. This handicapped us massively in software and hardware in the end, with countless hours wasted on trying to get things working.
- **Bad cameras:** During the last robocup, we simply mounted off-the-shelf webcams to a pole on top of the robot which increased our total height dramatically. These often glitched and crashed, blame to the Jetson. Now we use dedicated Camera modules with M12 lenses, with wider angles and more reliability.
- **No fallbacks:** Last robocup we stopped thinking about connectivity after getting Wi-Fi working. Wi-Fi promptly failed at the competition and we had to scramble together an alternative.
- **The Fuse:** When making the power board our tech added a fuse for the battery for good measure. As it turns out this has single-handedly saved our electronics on multiple occasions. Plugging in a charger backwards is all too easy.
- **Construction flaws of Bento-Box:** Although it was well suited for standard terrain, we had lots of problems with stairs, one of the main reasons we decided to use flippers on the new robot.
- **Construction Development:** Our old plan was to design the flippers using mainly lego technic parts made of metal. However, the design was quite bulky and expensive so we switched to a layout based on 3D-printed inner gears



Old vs. new: The new design is cheaper and more compact

## Plans until the Robocup

Our next steps will be the finalizing of the flipper design: We need to determine whether the planetary gearbox in the wheel that is moving the chain is necessary and if we need the additional wheels to apply tension on the chain.

Furthermore, we want to create a dedicated mainboard to achieve more compact and capable electronics.

After that, we will create a layout for all the parts on a wooden base plate and design an enclosure. The wood will be replaced with metal in the final version.

We also plan on installing a LIDAR and a robotic arm on our robot, but both are still in an early R&D phase.

## Costs

Item	Quantity	Price/unit	Notes
Batteries	2	~10.00€	reclaimed Cells
Raspberry PI 4	1	~50.0€	depends on specs
Various Bolts and nuts	-	~40.00€	
MakerBeam kit	1	106.00€	<a href="https://www.amazon.de">amazon.de</a>
Motor Drivers	4	100€	sponsored by EduArt
Motors	8	209€	<a href="https://www.faulhaber.com">faulhaber.com</a>
Total		~2288 €	subject to change

---

# Our Team

## Members

- **Christian Hopfengärtner: Supervisor, CAD, Construction**
- **Roman Deuerling: Programming and PR**
- Noah Schuller: Main Builder and Constructor
- Jakob Halbig: Driver and Co-Constructor
- Nico Michler: Team-Mechanic and Designer
- Sanyukt Mishra: OpenCV, Simulation
- Daniel Jaksch: Programming novice and IT
- Oskar Paul: Programming and IT

(mentors in red)

All members are students from the Wilhelm-Löhe school from grade 10 up to grade 12.

Team personnel is bound to change, especially with people switching between Team Nachtgeeker and Team Löhbotics.